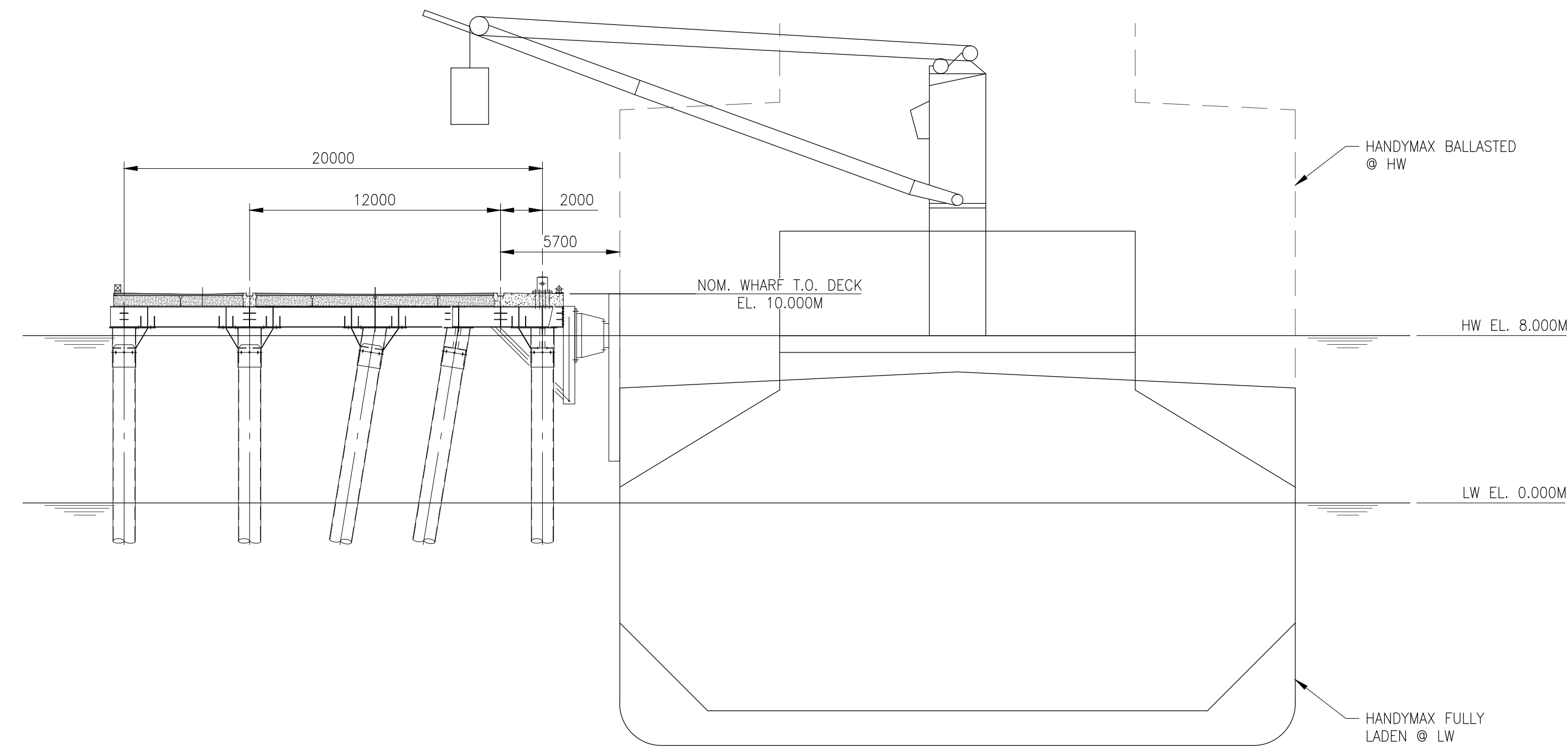
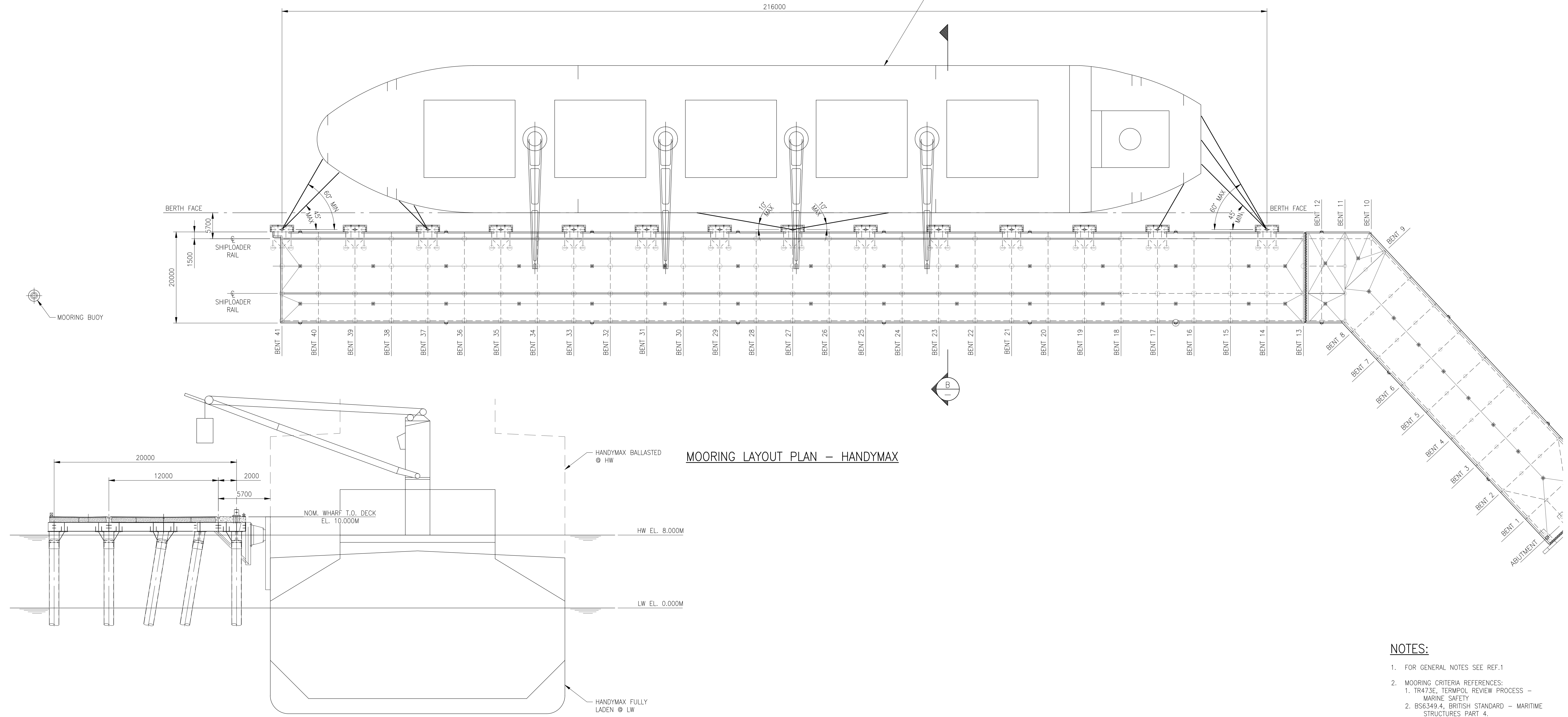



HANDYMAX (45000 DWT)
 LOA 193m
 BEAM 32.3m
 MOULDED DEPTH 17.1m
 FULLY-LADEN DRAFT 11.6m
 BALLAST DRAFT 6.3m



MOORING LAYOUT PLAN - HANDYMAX

- NOTES:**
- FOR GENERAL NOTES SEE REF.1
 - MOORING CRITERIA REFERENCES:
 - TR473E, TERMPOL REVIEW PROCESS - MARINE SAFETY
 - BS6349.4, BRITISH STANDARD - MARITIME STRUCTURES PART 4.

**PRELIMINARY
NOT FOR CONSTRUCTION**

													 www.cwaengineers.com		STEWART WORLD PORT STEWART B.C.						
													This drawing has been prepared by CWA Engineers Inc. as an instrument of service and is the exclusive property of CWA. This drawing shall be used solely for the purpose of this project. The client agrees that this drawing shall not be used for purposes other than those intended, and shall hold the engineer harmless for any other such use.				WHARF GENERAL ARRANGEMENT MOORING LAYOUT PLAN HANDYMAX				
1	14010-ST-001	GENERAL NOTES	P1	2014-06-02	ISSUED FOR REVIEW	HRS												14010	GA	002	P1
REF.	DWG. NUMBER	DESCRIPTION	No.	YYYY-MM-DD	DESCRIPTION	DRAWN	DWG. CHECK	DESIGN	DESIGN CHECK	APPROVED	DRAWN BY: HRS		SCALE: 1:400	PROJECT No.	AREA	DEPT.	DWG. No.	REV.			
REFERENCE DRAWINGS / DESIGN STANDARDS			CLIENT PROJECT No:		CWA ACAD FILE: 14010-GA-001 & GA-002.DWG		ISSUES / REVISIONS					* HAND INITIALS ON FILE									